

# Cue<sup>4</sup>

User Manual



interspace  
industries

Cueing and Presentation Control Specialists

## **Contents:**

<b>Introduction</b>	<b>3</b>
<b>Safety Instructions</b>	<b>4</b>
<b>Diagrams</b>	<b>5</b>
<b>Regulations Compliance CE</b>	<b>5</b>
<b>Regulations Compliance FCC</b>	<b>6</b>
<b>Operating Instructions</b>	<b>6</b>
<b>Loop Out</b>	<b>7</b>
<b>Equipment Supplied</b>	<b>7</b>
<b>Technical Support Contact</b>	<b>7</b>

## Introduction

**Cue<sup>4</sup>** has been developed to provide a simple step-on (or back) of multiple computers cued from a MasterCue V5 USB.

A straightforward unit with 4 USB (B Series) connectors allows up to four computers to be independently enabled, to either step-on or go back at the same time in presentations with software such as Microsoft PowerPoint.

The unit requires no additional power as it obtains this from the host computers via their USB connectors.

Front panel switches enable or disable the control.

### ***Multiple Computer Presentations Made Simple!***

We hope **Cue<sup>4</sup>** exceeds your expectations and welcome any feedback that you have about this or any of our products.

Thank you.

The Interspace Industries Team  
[www.interspaceind.com](http://www.interspaceind.com)

## Safety Instructions

All safety and operating instructions should be read before this product is operated and should be retained for further reference. Please adhere to all the warnings on this product and in these operating instructions. Please follow these instructions carefully.

**Power.** Only use the power source indicated on the device. Devices equipped with a grounded plug should only be used with a grounded type outlet. In no way should this grounding be disconnected, modified or suppressed.

### Keep Away From Harmful Substances

To prevent the risk of electric shock and fire, do not expose this device to rain, humidity or intense heat sources (such as radiators or direct sunlight). Avoid using this equipment in environments where there is excessive heat, dust, moisture, chemicals, vibration or mechanical shocks.

**Slots and Openings.** These are designed into the device for ventilation and to avoid overheating. Always ensure these openings remain clear. **Do not attempt to insert anything into these openings under any circumstances.** If liquids have been spilled on, or objects have fallen into the product it must be checked by a qualified technician before re-using.

**Connections.** All inputs and outputs (except for power input) are TBTS defined under EN60950.

- **DO NOT OPEN SYSTEM DUE TO HIGH VOLTAGE.**
- **DO NOT IMMERSE IN WATER.**

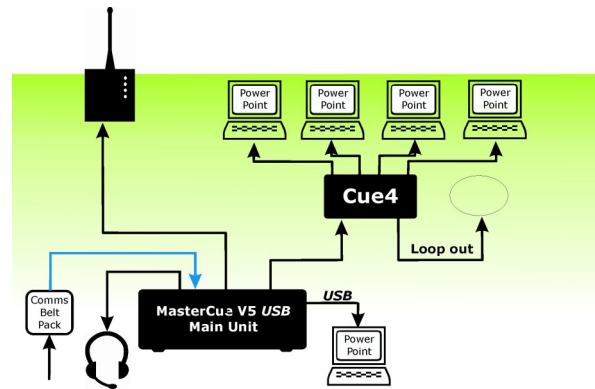
If you have any queries regarding these safety instructions or how to maintain the unit please do not hesitate to contact us on:

**+44(0)1462 600101**

**Servicing.** Do not attempt to service this product yourself. Should an unauthorised person attempt to either open the covers or service our products, it may invalidate your Limited Factory Warranty. In addition, opening or removing covers and screws may expose you to electric shocks or other hazards. Refer all servicing to qualified service personnel.

## Diagram

Figure 1: Cue4 Connection Diagram



---

### DECLARATION OF CONFORMITY

We declare under our sole responsibility that the product

### Cue4

Conform to the following standards:

EN 62368-1:2014 Audio/Video, Information ,  
Communication technology equipment—Part 1: Safety Requirements  
EN 55103-1:2009 (Emissions) / EN 55103-2:2009 (Immunity)

Following the provisions of the EEC Directive 2014/30/EU and 2014/35/EU

Dave Humphrys  
CEO, Interspace Industries  
Interspace Industries  
Unit 7, 41 Brownfields  
Welwyn Garden City  
Herts  
AL7 1AN, UK

## Environmental

**WEEE and RoHS Compliance.** Cue<sup>4</sup> and its associated accessories have been manufactured and sold in accordance with the requirements of the EC WEEE and RoHS directives. Please return all end-of-life items to your supplier, or Interspace Industries directly, for appropriate disposal.

**Packaging Materials:**

Cardboard box: Grade 150 K/T 'B' (Single Walled Corrugated - Brown Kraft)

## FCC

NOTE: This equipment has been tested and found to comply with the limits for a Class B digital device, pursuant to Part 15 of the FCC Rules. These limits are designed to provide reasonable protection against harmful interference in a residential installation. This equipment generates, uses and can radiate radio frequency energy and, if not installed and used in accordance with the instructions, may cause harmful interference to radio communications. However, there is no guarantee that interference will not occur in a particular installation. If this equipment does cause harmful interference to radio or television reception, which can be determined by turning the equipment off and on, the user is encouraged to try to correct the interference by one or more of the following measures:

- Reorient or relocate the receiving antenna.
- Increase the separation between the equipment and receiver.
- Connect the equipment into an outlet on a circuit different from that to which the receiver is connected.
- Consult the dealer or an experienced radio/TV technician for help

## Operating Instructions

**Unpacking and Connections.** Unpack the main unit and place on a flat surface within easy access for the Operator (see Fig 1).

Ensure the operation of the host MasterCue V5 USB cueing system is working properly, before taking the 6-pin mini din cable and plugging it into the keyboard socket on the back of the MasterCue V5 unit. Connect the other end of the 6-pin mini din cable into the 'i2 input socket' of the Cue<sup>4</sup> unit.

Attach the first computer with one of the USB series A-B cables to the first input on Cue<sup>4</sup>. The green LED associated with that channel, which the computer has been plugged into, will illuminate to confirm connectivity to the PC and the USB is 'talking' to the computer.

If the 'Enable' switch is toggled on and off, the red LED associated to that channel will also toggle on and off to show whether the cue will be sent to the computer from the MasterCue V5.

Carry on with this process for the other computers to prove connectivity with each in turn and, at the same time, check the enable / disable function as well.

#### **Loop-Out**

Cue<sup>4</sup> has a Loop-out to enable multiple Cue<sup>4</sup> units to be connected together. However, we do not recommend more than two extra systems to be looped.

Repeat the above for the second unit, but plug the 6-pin mini din cable between the loop-out of the first Cue<sup>4</sup> and i2 input on the second.

### **Equipment Supplied**

- Cue<sup>4</sup>
- 4 x USB A-B series cable 2m
- 1 x 6-pin Mini Din cable 1.5m

*Note: User supplied 3-pin XLR (mic) cables are required to connect display lamps to the main unit.*

### **For Technical Support or Sales Enquiries**

Interspace Industries Head Office:

**+44 (0) 1462 600101**

Emergency Technical Support Hot Line:

**+44 (0) 7976 385046**

Website:

**[www.interspaceind.com](http://www.interspaceind.com)**



Unit 7, 41 Brownfields  
Welwyn Garden City  
Hertfordshire  
AL7 1AN  
UK

Tel: +44 (0) 1462 600101

Email: [moreinfo@interspaceind.com](mailto:moreinfo@interspaceind.com)  
[www.interspaceind.com](http://www.interspaceind.com)