

Cue4 enhances the industry proven MasterCue USB range, now providing for the significant expansion of PowerPoint presentation cueing control. Cues sent to the MasterCue system by either an event operator or the presenter can now be electronically distributed to multiple computers running different versions of the same presentation.

This ensures the main, backup, translated, preview and/or notes versions of the presentation remain perfectly synchronised at all times. Should the main computer hang or some other problem occur for example, the backup computer can be switched to at any time, knowing it has remained in step with the main version.

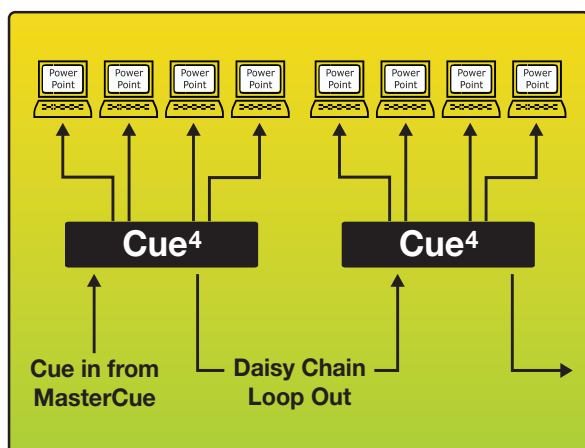
Each output of Cue4 is switchable, giving the operator control over which outputs will follow the main cue or be bypassed for manual control, in the case of a fault perhaps.

Cue4 has a loop output which provides for even further expansion through the connection of additional Cue4 units, thus providing for the simultaneous control of multiple presentation versions on any scale.

Main Features

- 4 USB independently driven ports for computer control
- Dual indicator LEDs for connectivity and port enable
- USB power – takes power from controlled computers
- No set up – plug in and go
- Control loop out for additional Cue4
- Small compact system

3 Year Limited Factory Warranty



Interspace Industries
 28 High Street, Arlesey, Bedfordshire, SG15 6RA, UK
 call: +44 (0) 870 770 8088, Fax: +44 (0) 870 770 8089
 email: moreinfo@interspaceind.com web: www.interspaceind.com



Cueing Multiple Presentations Made Easy



Specifications

Signals:

Propriety data connect from MasterCue USB and Cue4
 4 USB outputs to Computer

Connectors

2x 6pin mini din
 4x USB series B

Accessories included

1x 6 pin mini din to mini din data connect cable
 4x USB series A-B lead

Dimensions and weights mm (inch)

125 (4 3/4") x 75(3") x 35 (1 1/2") (inc feet)
 Weight 200g (6oz)

Power

USB powered

