

Indicator²

User Manual



28 High Street
Arlesey
Bedfordshire
SG15 6RA
UK

Tel: +44 (0) 870 770 8088
Fax: +44 (0) 870 770 8089

Email: moreinfo@interspaceind.com
www.interspaceind.com



Cueing and Presentation Control Specialists

Contents:

Introduction	3
Safety Instructions	4
Diagrams	5
Regulations Compliance	5
Operating Instructions	6
Front Panel Button Dimming	7
Equipment Supplied	7
Technical Support Contact	7

To completely extinguish the display lamps while they are flashing, simply press the colour select button that is also flashing on the front panel and the display lamps will be extinguished. The FLASH button on the front panel will remain flashing and this can be pressed again to de-activate the flash mode if required.

Front Panel Button Dimming. The buttons on the front panel of the main unit can be dimmed if required for low- light level control environments.

While pressing and holding the FLASH button on the front panel of the main unit, momentarily press the GREEN colour select button. Continue to hold down the FLASH button and all buttons will flash once to confirm the system is in dimming mode. While still holding down the FLASH button, momentarily press the GREEN colour select button to adjust the dimness of the front panel control buttons. Once the required dimness setting is achieved, release the FLASH button to take the system out of dimming mode.

Dimness can be adjusted while the system is operating if required without any change to the display lamps status and the dimness setting will remain until changed again - including during power off.

Equipment Supplied

- Indicator Main Station
- 2 x Indicator remote display lamps
- IEC power lead

Note: User supplied 3-pin XLR (mic) cables are required to connect display lamps to the main unit.

For Technical Support or Sales Enquiries

Interspace Industries Head Office:
+44 (0) 870 770 8088

Emergency Technical Support Hot Line:
+44 (0) 7976 385046

Website:
www.interspaceind.com

Environmental

WEEE and RoHS Compliance. Indicator² and its associated accessories have been manufactured and sold in accordance with the requirements of the EC WEEE and RoHS directives. Please return all end-of-life items to your supplier, or Interspace Industries directly, for appropriate disposal.

Packaging Materials:

Cardboard box: Grade 150 K/T 'B' (Single Walled Corrugated - Brown Kraft)
Protective Foam: Grade HLB 22 Grey Foam (High Load Bearing)

Electrical

CE Mark. Indicator² and its associated accessories have been designed, manufactured and certified to comply with all requirements of the European CE standard.

Operating Instructions

Unpacking and Connections. Unpack the main unit and place on a flat surface within easy access for the Operator (see figure 1). Adjust the angle of the main unit by loosening the bracket securing fasteners on each side of the main unit and re-tightening once the most comfortable angle is achieved.

Position each display lamp for best viewing and connect to the main unit using 3-pin XLR (mic) cables. Typical operating distances can be as much as 100m (300ft).

Note: Additional displays can be added to the system using standard mic cable splitters but the sum of the total distance between *all* displays and the main unit should not exceed 100m (300).

Connect the IEC power cable to Indicator² and switch on the power at the source.

Basic Operation. Momentarily pressing any of the coloured buttons on the front panel of Indicator² will cause the display lamps to illuminate in that colour. The lamp will remain illuminated in that colour until either the same button is pressed again (this turns off the display lamp), or an alternative coloured button is pressed on the front panel of the main unit.

While any of the colours have been selected, the FLASH button can be pressed momentarily and the display lamp will flash on and off. The selected colour button on the front panel will flash also. Pressing the FLASH button again will stop the display lamp from flashing and it will remain illuminated.

At any time while the display lamps are flashing, an alternative colour can be selected by simply momentarily pressing a different coloured button on the front panel of the main unit and the display lamp will change to that colour and remain flashing also.

Introduction

Indicator² is the AV professional's best friend when it comes to controlling a live event. Signalling to presenters or crew to ensure everything runs to time is the key to a smooth, professional show and Indicator² is a simple and effective 'Traffic Light' system.

Using everyone's understanding of Green, Amber and Red signals, Indicator² silently prompts presenters when to speak (green light), when to summarise (amber light) and when to finish (red light). The main control unit has dual indicator power outputs so that two lamps can be located for easy viewing, or to cue more than one presenter or crew at the same time.

The indicator display lamps are self-contained and are connected using standard 3-core XLR (mic) cables. Operation is by the main unit front panel. Cable lengths can be in excess of 100meters (300 ft).

Live Event Timekeeping Made Simple!

We hope Indicator² exceeds your expectations and welcome any feedback that you have about this or any of our products.

Thank you.

The Interspace Industries Team
www.interspaceind.com

Safety Instructions

All safety and operating instructions should be read before this product is operated and should be retained for further reference. Please adhere to all the warnings on this product and in these operating instructions. Please follow these instructions carefully.

Power. Only use the power source indicated on the device. Devices equipped with a grounded plug should only be used with a grounded type outlet. In no way should this grounding be disconnected, modified or suppressed.

Power Supply Lead. To unplug the device always pull by the plug itself, not the power supply lead. The power source outlet should always be near the MicroCue main unit and easily accessible. Ensure the power supply lead cannot be walked on or damaged by items placed on or against it. **Do not use if the power supply lead is damaged.** Using the device with a damaged power supply lead may expose you to electric shock or other hazards. Check the condition of the power supply lead regularly. Contact your dealer or service centre immediately for a replacement if damaged.

Keep Away From Harmful Substances

To prevent the risk of electric shock and fire, do not expose this device to rain, humidity or intense heat sources (such as radiators or direct sunlight). Avoid using this equipment in environments where there is excessive heat, dust, moisture, chemicals, vibration or mechanical shocks.

Slots and Openings. These are designed into the device for ventilation and to avoid overheating. Always ensure these openings remain clear. **Do not attempt to insert anything into these openings under any circumstances.** If liquids have been spilled on, or objects have fallen into the product it must be checked by a qualified technician before re-using.

Connections. All inputs and outputs (except for power input) are TBTS defined under EN60950.

- DO NOT OPEN SYSTEM DUE TO HIGH VOLTAGE.
- DO NOT IMMERSE IN WATER.

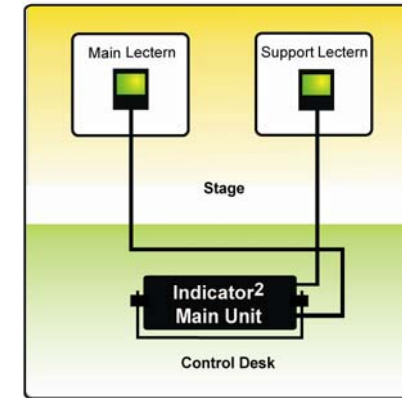
If you have any queries regarding these safety instructions or how to maintain the unit please do not hesitate to contact us on:

+44(0)870 770 8088

Servicing. Do not attempt to service this product yourself. Opening or removing covers and screws may expose you to electric shocks or other hazards. Refer all servicing to qualified service personnel.

Diagram

Figure 1: Indicator² Connections Diagram



DECLARATION OF CONFORMITY

We declare under our sole responsibility that the product

Indicator²

To which this declaration relates is in conformity with the following standards or other normative documents

EN55103-1 & EN55103-2 1966

(Specific for professional Audio Visual Products) Used in environment as defined under E2 Commercial and Light industry (example Theatres)

EN60950-1 : 2000

Following the provisions of the EEC Directive 89/336/EEC and 73/23/EEC

Issued on: Date 22 Feb. 06

Dave Humphrys
Managing Director, Interspace Industries Ltd