

Indicator²

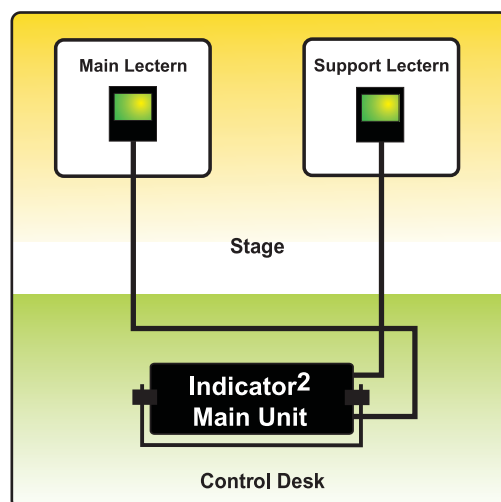
Indicator² is the AV professional's best friend when it comes to controlling a live event. Signaling to presenters or crew to ensure everything runs to time is the key to a smooth, professional show and Indicator² is a simple and effective 'Traffic Light' system. Using everyone's understanding of Green, Amber and Red signals, Indicator² silently prompts presenters when to speak (green light), when to summarise (amber light) and when to finish (red light).

The main control unit has dual indicator power outputs so that two lamps can be located for easy viewing, or to cue more than one presenter or crew at the same time. The indicator display lamps are self-contained and are connected using standard 3-core XLR (mic) cables. Operation is by the main unit front panel. Green, Amber and Red buttons will select or deselect that colour. Selecting another colour will deselect the first colour. A flash feature allows the operator to emphasise that time has run out. Cable lengths can be in excess of 100 metres (300 ft).

Main Features:

- Simple set-up and operation – can be operational in just minutes
- Dual signal output – 2 presenters or crew can see the same signal
- Single lamp changes colour – discreet yet highly effective
- Additional flashing function – to emphasise that time has run out!
- Only requires standard 3-pin XLR (mic) cables to interconnect
- CE compliant – safe and reliable

3 Year Limited Factory Warranty



Interspace Industries LLC

4650 S. Butterfield Dr., Tucson, AZ
call: (520) 689-4237 fax: (520) 844-9020
email: moreinfo@i2llc.us web: www.interspaceind.com



Live Event Timekeeping Made Simple!



Specifications

Signals:

2 outputs each carrying 12VDC 100mA (limiting)

Connectors:

2 x 3-pin male XLR
IEC power connector

Accessories included:

2 x Remote indicator lamps
Power cable

Required user parts:

Standard 3-pin XLR (mic) cables

Dimensions mm (inch):

Base unit

DxWxH: 62 (2 1/4") x 280 (11") x 90 (3 1/2")

Weight: 907g (2lbs)

Remote Displays

DxWxH: 71(2 8/10") x 64(2 1/2")
x 40(1 6/10")

Weight: 110g (3.9oz)

